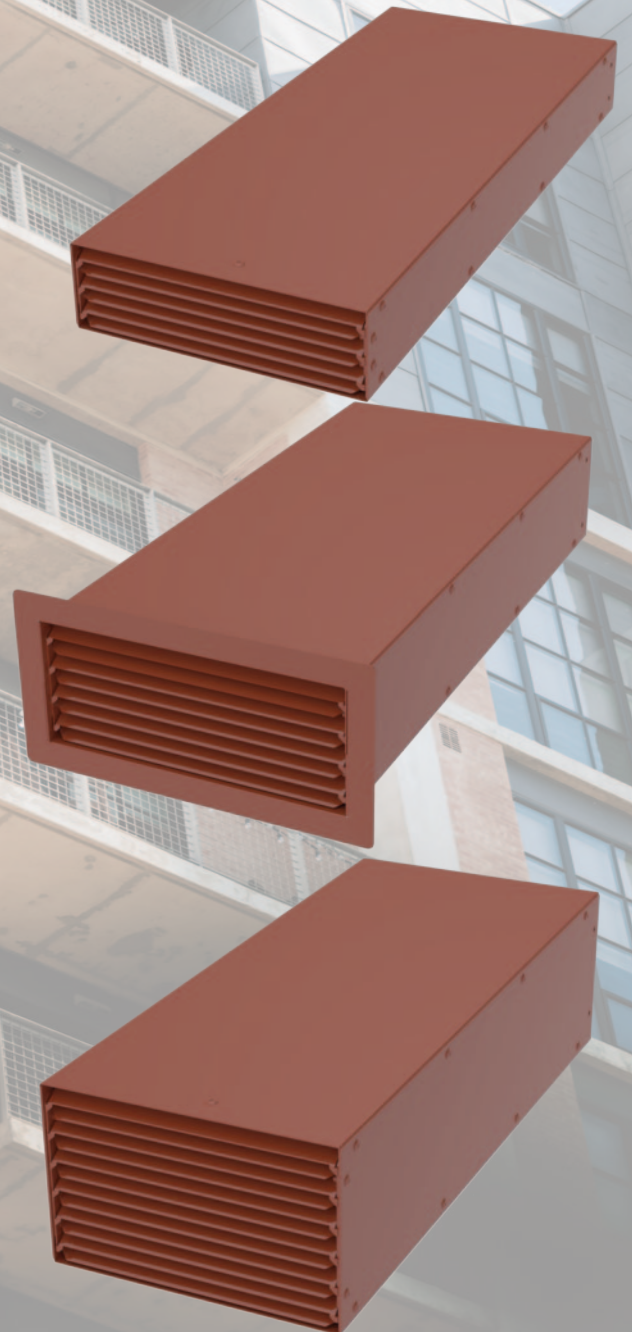


Fire Rated Air Bricks



*ventilation
systems*

galvanised sheet steel
powder coated
to Classification A2-s1, d0
Registered Designs



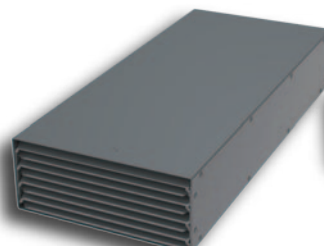
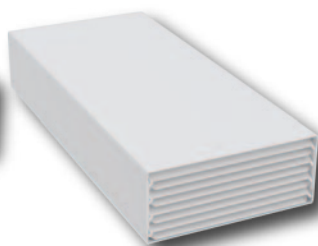
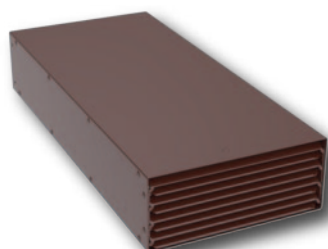


Fire Rated Air Bricks

Features and Benefits

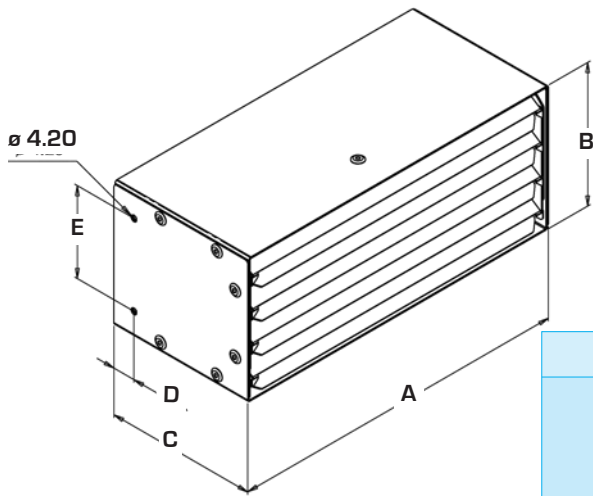


- ★ High performance non-combustible terminals designed for low resistance use with powered mechanical ventilation
- ★ Non-combustible as set out in Approved Document B (fire safety) Volume 1: Dwellings, 2019 Edition
- ★ Manufactured from 0.9mm electro-galvanised sheet steel, fire class A1 "no contribution to fire"
- ★ Polyester powder coating meeting EN13501-1 classification A2-s1,d0
- ★ Very low airflow resistance
- ★ Available in three sizes in 500mm and 100mm lengths
 - 204mm x 60mm
 - 220mm x 90 mm
 - 208mm x 130 mm
- ★ Non-bezelled or bezelled
- ★ Bezelled models suitable for exterior cladding
- ★ Metal ducting available in standard 500mm length. Custom lengths available on request
- ★ Metal straight, 45° and 90° connectors in all three sizes
- ★ Available in 5 colours:
 - brown - RAL8016
 - white - RAL9016
 - terracotta - RAL8004
 - grey - RAL7012
 - beige - RAL1001Custom colours on request
- ★ Blades integral with firebrick - therefore will not loosen
- ★ Performance tested to BS EN13141-2:2010
- ★ Corrosion resistant - salt spray tested to BS EN ISO 9227:2012
- ★ Designed to fit into walls during building works
- ★ Free Areas:
 - 204x60 size - 11,007 mm², 90% free area
 - 220x90 size - 18,222 mm², 92% free area
 - 208x130 size - 24,660 mm², 91% free area
- ★ All models are Registered Designs:
 - FRAB204x60 - Registered Design No: 6261188
 - FRAB204x60x100 - Registered Design No: 6263780
 - FRAB204x60B - Registered Design No: 6261189
 - FRAB204x60x100B - Registered Design No: 6263781
 - FRAB220x90 - Registered Design No: 6261190
 - FRAB220x90x100 - Registered Design No: 6263782
 - FRAB220x90B - Registered Design No: 6261191
 - FRAB220x90x100B - Registered Design No: 6263783
 - FRAB208x130 - Registered Design No: 6261192
 - FRAB208x130x100 - Registered Design No: 6263784
 - FRAB208x130B - Registered Design No: 6261193
 - FRAB208x130x100B - Registered Design No: 6263785
- ★ Made in the UK

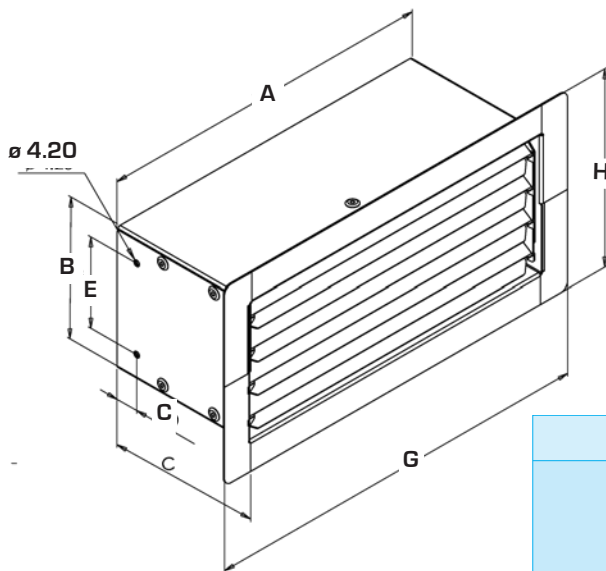


Fire Rated Air Bricks

Dimensions (mm)



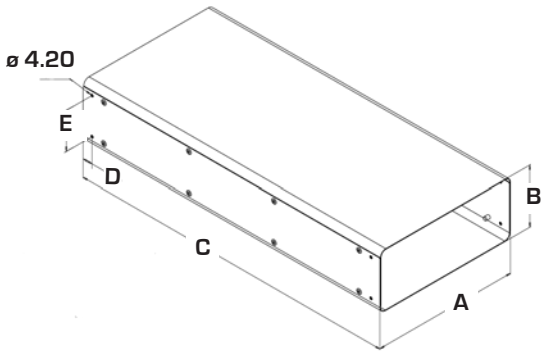
| Standard Fire Rated Air Brick | | | | | | |
|-------------------------------|---------------------------|---------------------------|---------------------------|---------------------------|----------------------------|----------------------------|
| | FRAB 204x60 (100mm) | FRAB 204x60 (500mm) | FRAB 220x90 (100mm) | FRAB 220x90 (500mm) | FRAB 208x130 (100mm) | FRAB 208x130 (500mm) |
| A | 208.6 | | 224.6 | | 212.6 | |
| B | 62.8 | | 92.8 | | 132.8 | |
| C | 100 | 500 | 100 | 500 | 100 | 500 |
| D | 15 | | 15 | | 10 | |
| E | 30 | | 60 | | 75 | |



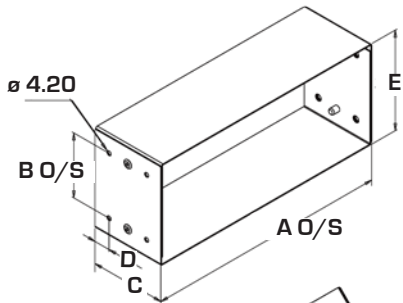
| Bezelled Fire Rated Air Brick | | | | | | |
|-------------------------------|----------------------------|----------------------------|----------------------------|----------------------------|-----------------------------|-----------------------------|
| | FRAB 204x60B (100mm) | FRAB 204x60B (500mm) | FRAB 220x90B (100mm) | FRAB 220x90B (500mm) | FRAB 208x130B (100mm) | FRAB 208x130B (500mm) |
| A | 208.6 | | 224.6 | | 212.6 | |
| B | 62.8 | | 92.8 | | 132.8 | |
| C | 100 | 500 | 100 | 500 | 100 | 500 |
| D | 15 | | 15 | | 10 | |
| E | 30 | | 60 | | 75 | |
| G | 245 | | 261 | | 249 | |
| H | 101 | | 131 | | 171 | |

Fire Rated Air Bricks

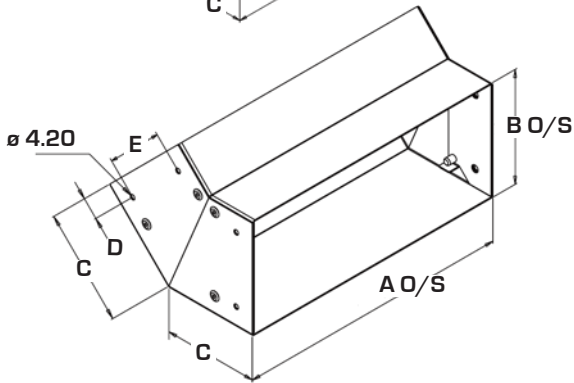
Dimensions - Accessories (mm)



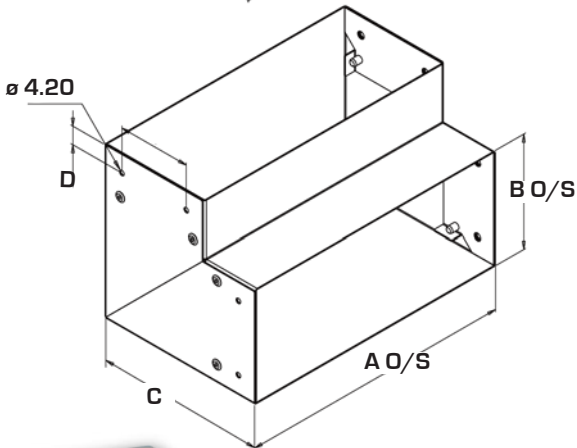
| Duct - 500 mm | | | |
|---------------|-----------|-----------|------------|
| | FR204x60D | FR220x90D | FR208x130D |
| A | 204 | 220 | 208 |
| B | 60 | 90 | 130 |
| C | 500 | 500 | 500 |
| D | 15 | 15 | 20 |
| E | 30 | 60 | 75 |



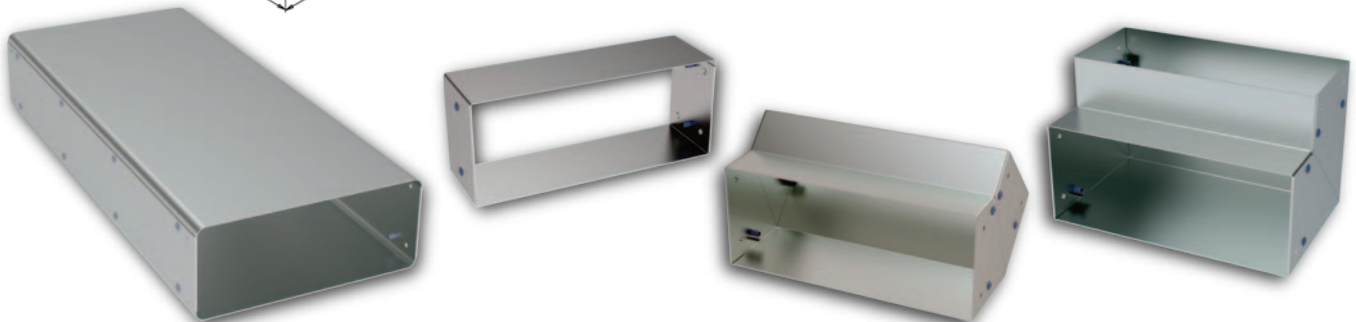
| Connector - Straight | | | |
|----------------------|-----------|-----------|------------|
| | FR204x60C | FR220x90C | FR208x130C |
| A | 209 | 225 | 213 |
| B | 63 | 93 | 133 |
| C | 70 | 70 | 70 |
| øD | 15 | 15 | 10 |
| E | 30 | 60 | 75 |



| Connector - 45° Bend | | | |
|----------------------|-------------|-------------|--------------|
| | FR204x60B45 | FR220x90B45 | FR208x130B45 |
| A | 209 | 225 | 213 |
| B | 63 | 93 | 133 |
| C | 66 | 78 | 95 |
| D | 15 | 15 | 10 |
| E | 30 | 60 | 75 |



| Connector - 90° Bend | | | |
|----------------------|-------------|-------------|--------------|
| | FR204x60B90 | FR220x90B90 | FR208x130B90 |
| A | 209 | 225 | 213 |
| B | 63 | 93 | 133 |
| C | 110 | 140 | 180 |
| D | 15 | 15 | 10 |
| E | 30 | 60 | 75 |

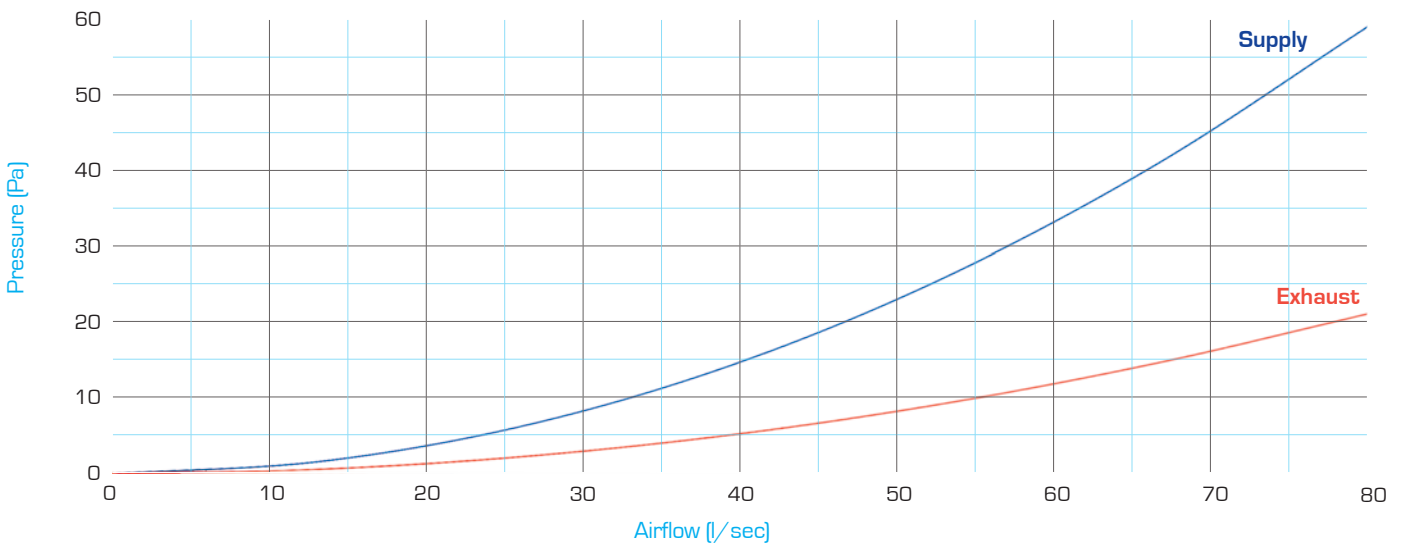


Fire Rated Air Bricks

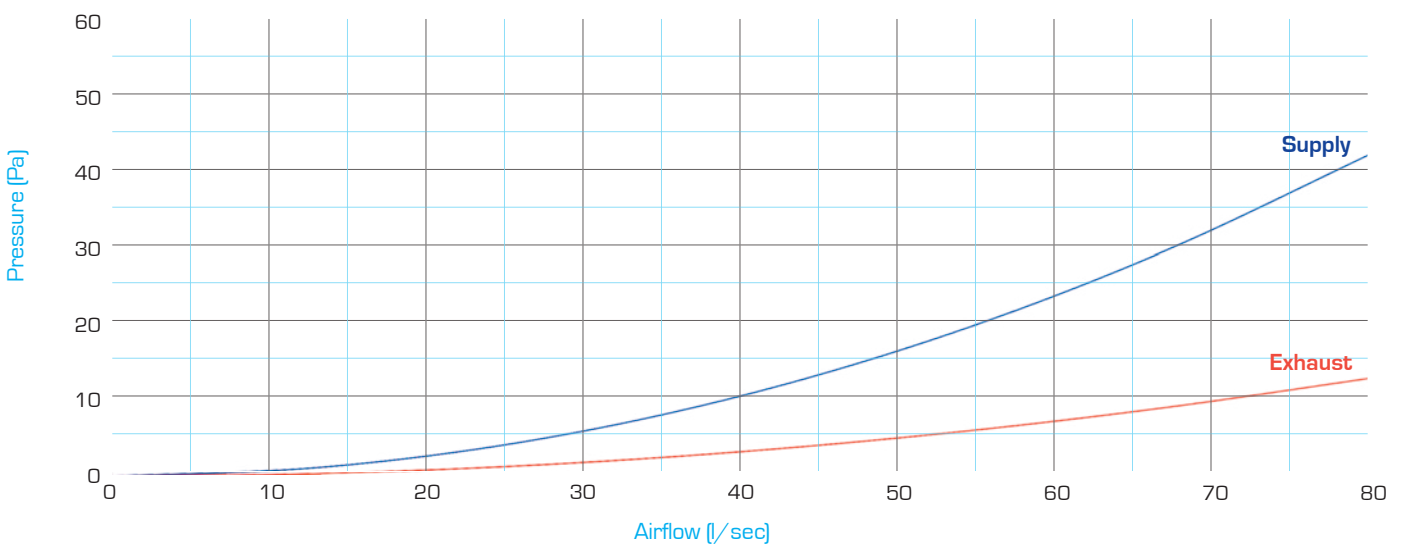
Performance



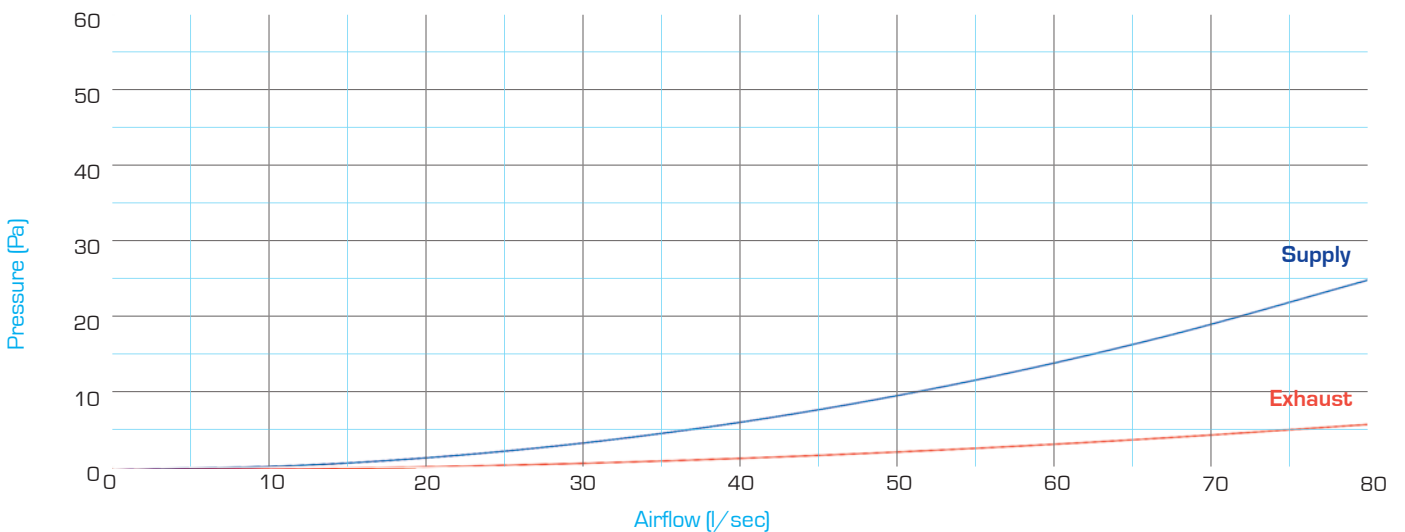
FRAB204x60

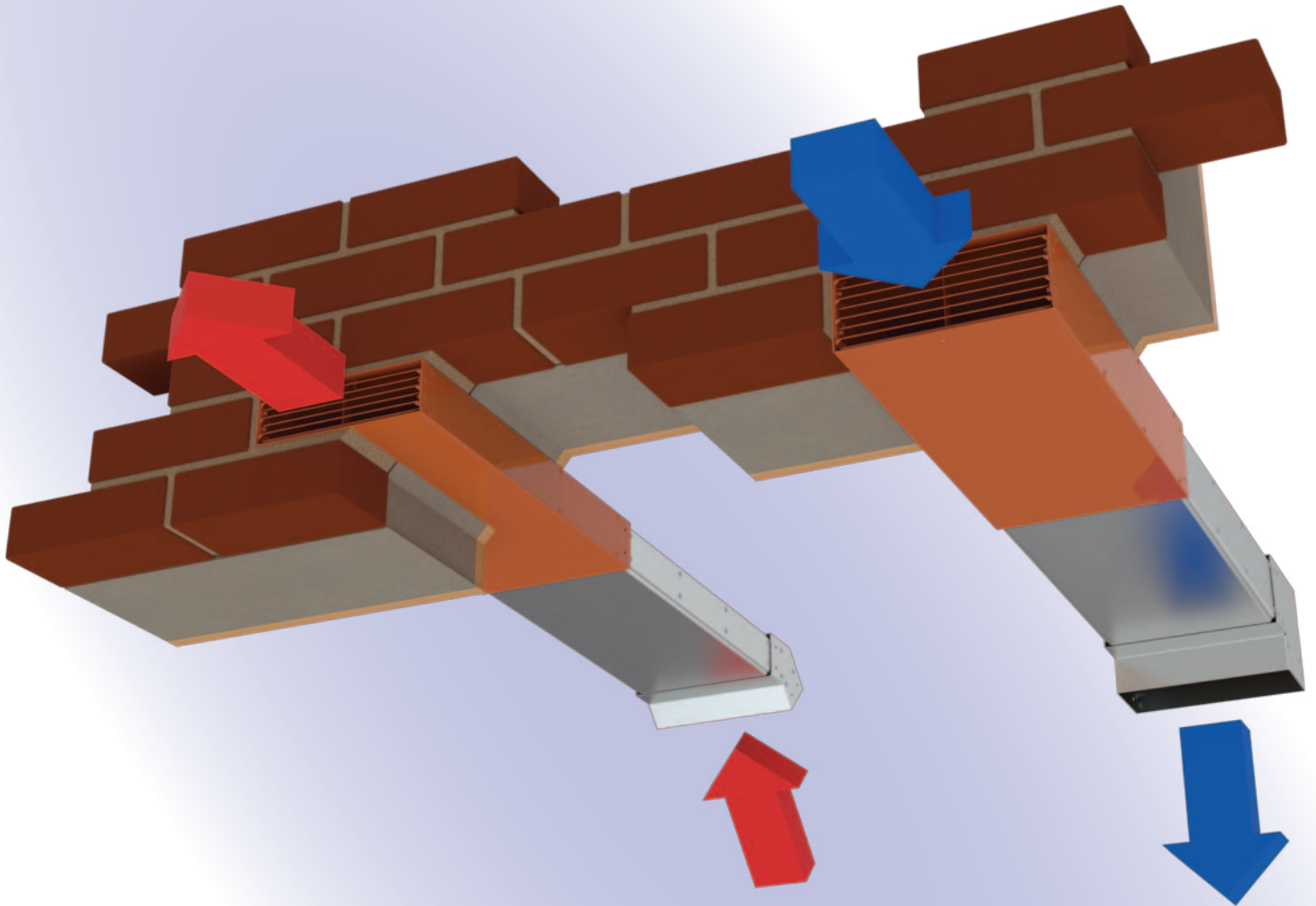


FRAB220x90



FRAB208x130





Vectaire Ltd

Lincoln Road
Cressex Business Park
High Wycombe
Buckinghamshire
HP12 3RH

Tel: +44(0)1494 522333
Fax: +44(0)1494 522337

Email: sales@vectaire.co.uk
Web: www.vectaire.co.uk

